

eDrive +2.0 Light Commercial

The Industry-Leading Operator for Spring-Balanced Roller Doors and Grilles

RML5051 (L/R)

Commercial Door Operators / Light Commercial Roller Door Operators / eDrive +2.0 Light Commercial

The eDrive +2.0 is the industry-standard for quality, durability, adaptability and intelligence. With numerous models to select from (depending on door size and cycles) as well as multiple expansion options the eDrive +2.0 is the logical choice for automating light commercial spring-balanced roller doors and grilles.

Key Features

- Powerful range of motors with purpose designed gearbox for durable, reliable operation
- Intelligent logic system for exceptional adaptability and integration into the building ecosystem
- Optional expansion board for advanced functionality
- Automatic chain-engage mechanism for safe and easy manual operation in the absence of power
- Absolute Position Encoder for reliable door positioning and improved safety. Motor is disconnected the instant the manual hand chain is engaged

What's in the Box?

eDrive +2.0 Operator, C10A-4 Wall Control, Mounting Hardware

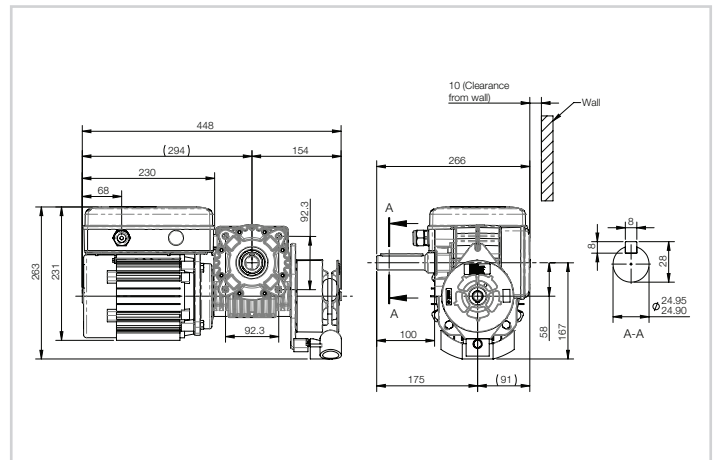
Information for Roller Doors

All operators have a recommended maximum Roller Door area listed in the specification table. All recommended sizes are based on a "Standard Roller Door" (refer below):

- The Door is correctly spring balanced
- The Door is a single piece roller door
- The Door has no wind-locks
- A sprocket ratio $\geq 4:1$ is used



Product may differ slightly from image shown.



Product may differ slightly from image shown.

Model Details

Part No.	RML5051 (L/R)
Description	eDrive +2.0 RDO KIT L/C 0.5Hp 240V 1PH C10A-4 IP44

(L/R) indicates which side of the door opening the motor is mounted to (when viewed from inside the building). For example a model with an "L" suffix is mounted to the top left of the door opening.

Optional Controller Upgrade

Part No.	EB1
Description	eDrive +2.0 Expansion Board with High Lid

Controller upgrade separately available. Please refer to the relevant Specification Sheet for details.

Specifications

kW	0.37kW	Phase	1ph	No Neutral (N)	N/A
Amps	3.40A	Max SB Door Size	26m ²	Pre-Wired (P)	S
Hp	0.5Hp	IP Rating	IP44	IP55 (W)	O
Voltage	240V	Duty Cycle	LC	Clutch (C)	O

LC = Low cycle (10% run time / hour).

HC = High cycle (30% run time / hour).

When specifying an upgraded model, please use the appropriate abbreviation before the "L" or "R" handing.

For example RML5051WR.

Upgrades

No Neutral (N)	N/A
Pre-Wired (P)	S
IP55 (W)	O
Clutch (C)	O

Upgrades:
O = Optional
S = Supplied as standard
N/A = Not applicable

Chamberlain Australia Pty Ltd

Head Office - Unit 1, 75 Epping Rd North Ryde NSW 2113
 Manufacturing - 15 Dell Rd, West Gosford NSW 2250

Chamberlain New Zealand Ltd

17A Arrenway Dr, Rosedale 0632 Auckland NZ

AU: 1800 GRIFCO | www.grifco.com.au
 NZ: 0800 653 667 | www.grifco.co.nz

Chamberlain Branches

Sydney - Unit 1, 75 Epping Rd North Ryde NSW 2113
 Melbourne - Unit 18, 85-91 Keilor Park Dr Tullamarine VIC 3043
 Brisbane - Unit 19, 140 Wecker Rd Mansfield QLD 4122
 Perth - 54 Milrose Dr Malaga WA 6090