

## Heavy Duty Manual Hoist

Hoist for Light Commercial Roller Doors and Shutters

## HDHWO

Grifco manual hoists are cost effective, durable and reliable opening system for light commercial roller doors and shutters. They ensure smooth, easy hoisting with quiet operation.

### Key Features

- Durable construction for long lasting performance
- Suitable for doors up to 22m<sup>2</sup> in size
- Australian made

### What's in the Box?

Manual hoist only. All mounting hardware and hauling chain available separately.

### Information for Roller Doors

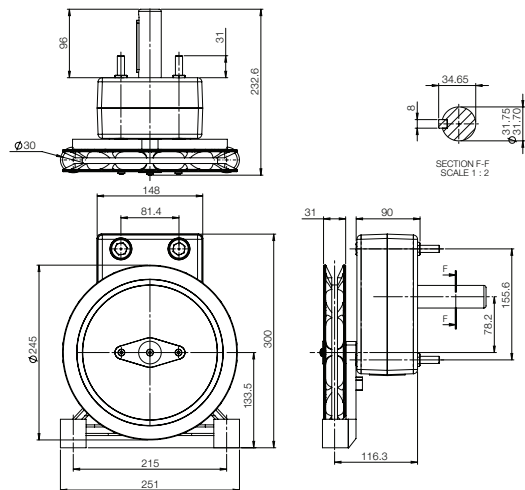
All hoists have a recommended maximum Roller Door area listed in the specification table. All recommended sizes are based on a "Standard Roller Door" (refer below):

- The Door is correctly spring balanced
- The Door is a single piece roller door
- The Door has no wind-locks
- A sprocket ratio  $\geq 4:1$  is used

Commercial Door Operators / Light Commercial Roller Door Operators / Manual Hoists



Product may differ slightly from image shown.



Product may differ slightly from image shown.

### Model Details

Part No.	HDHWO
Description	Heavy Duty Manual Hoist

### Optional Accessories

Part No.	HC5MM8	Part No.	MP005
Description	Hauling Chain 5mm / 8m	Description	Mounting plate

Accessories separately available.

### Specifications

Hauling Chain (not supplied)	5mm long link
Output Shaft Diam.	31.75Mm (1 1/4")
Gear Reduction	4:1
Weight	8kg

#### Chamberlain Australia Pty Ltd

Head Office - Unit 1, 75 Epping Rd North Ryde NSW 2113  
Manufacturing - 15 Dell Rd, West Gosford NSW 2250

#### Chamberlain New Zealand Ltd

17A Arrenway Dr, Rosedale 0632 Auckland NZ

AU: 1800 GRIFCO | [www.grifco.com.au](http://www.grifco.com.au)  
NZ: 0800 653 667 | [www.grifco.co.nz](http://www.grifco.co.nz)

#### Chamberlain Branches

Sydney - Unit 1, 75 Epping Rd North Ryde NSW 2113  
Melbourne - Unit 18, 85-91 Keilor Park Dr Tullamarine VIC 3043  
Brisbane - Unit 19, 140 Wecker Rd Mansfield QLD 4122  
Perth - 54 Milrose Dr Malaga WA 6090