

U-Drive

Operator for Non Spring-Balanced Roller Shutters

GUD-H053M

U-Drive is an extremely powerful operator designed to chain-drive non spring-balanced roller shutters, growing in use within high-cycle applications such as carparks and warehouse docks. It is available in two variations, for very high-cycle shutters up to 18m² (typical carparks) and low-cycle shutters in industrial applications up to 34m².

With an extremely robust gearbox and fan-cooled motor with solenoid brake, the operator is designed for heavy lifting and high-cycle counts.

The U-Drive range also includes an innovative mounting system for the door drum and operator. Offering many mounting options, it is ideal for tight applications.

Key Features

- Extremely robust gear box and motor for durable operation
- Fan-cooled high cycle motor with solenoid brake
- Universal handing for left or right side mounting
- Multiple mounting configurations due to innovative mounting kit (separate)
- Supplied with all necessary components to mount the door and operator

What's in the Kit?

U-Drive Operator, S1225 Sprocket (12B 25T), DC12B Drive Chain (12B) & Mounting Hardware.

Information for Non Spring-Balanced Roller Shutters

All operators have a recommended maximum Roller Shutter area listed in the specification table. All recommended sizes are based on a "Standard Roller Shutter, defined as:

- The shutter has $\leq 1.0\text{mm} \times \leq 100\text{mm}$ slats
- The shutter has no wind locks
- Diameter 168mm drum
- Chain reduction ratio as defined in the U-Drive manual

Model Details

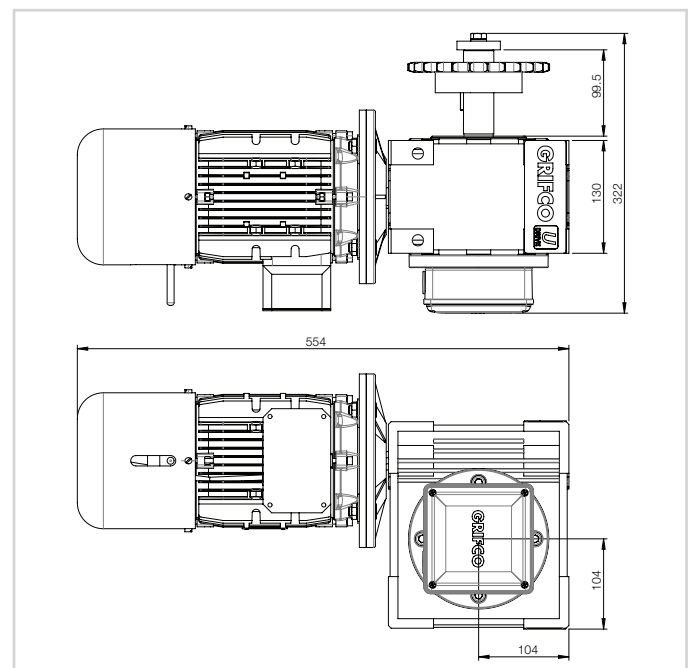
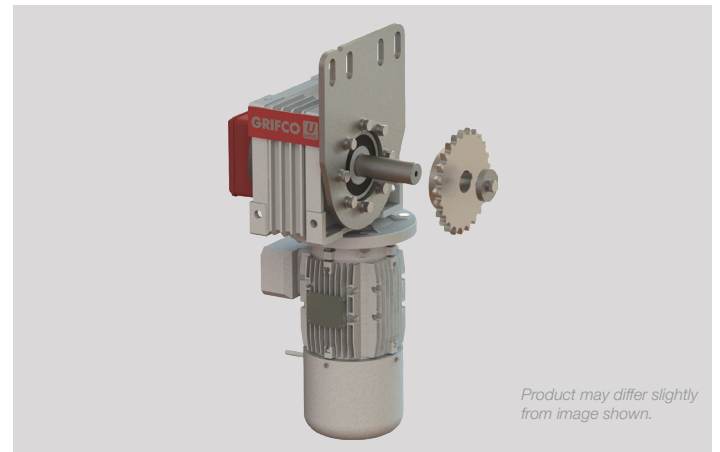
Part No.	GUD-H053M
Description	U-Drive RSO H/C 0.5hp 415V 3ph

Optional Controller Upgrade

Part No.	GLMe2L
Description	eDrive +2.0 Logic for Mechanical Operators

Controller upgrade separately available. Please refer to the relevant Specification Sheet for details.

Operators For Commercial Doors / Operators For Roller Shutters / U-Drive



Specifications

kW	0.37kW	Phase	3ph
Amps	1.45A	Max Non-SB Door Size	18m ²
Hp	0.5Hp	Duty Cycle	HC-60%
Voltage	415V		

Chamberlain Australia Pty Ltd

Head Office - Unit 1, 75 Epping Rd North Ryde NSW 2113
Manufacturing - 15 Dell Rd, West Gosford NSW 2250

Chamberlain New Zealand Ltd

17A Arrenway Dr, Rosedale 0632 Auckland NZ

AU: 1800 GRIFCO | www.grifco.com.au
NZ: 0800 653 667 | www.grifco.co.nz

Chamberlain Branches

Sydney - Unit 1, 75 Epping Rd North Ryde NSW 2113
Melbourne - Unit 18, 85-91 Keilor Park Dr Tullamarine VIC 3043
Brisbane - Unit 19, 140 Wecker Rd Mansfield QLD 4122
Perth - 54 Milrose Dr Malaga WA 6090