

# GRIFCO®

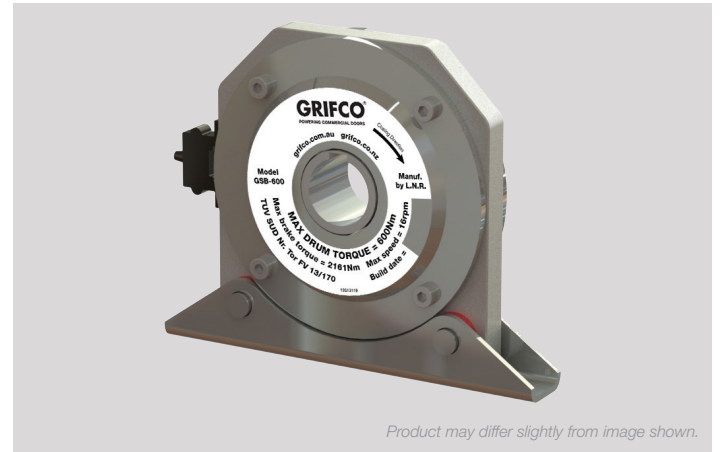
POWERING COMMERCIAL DOORS

## Safety Brake

Safety Device for Non Spring-Balanced Roller Shutters

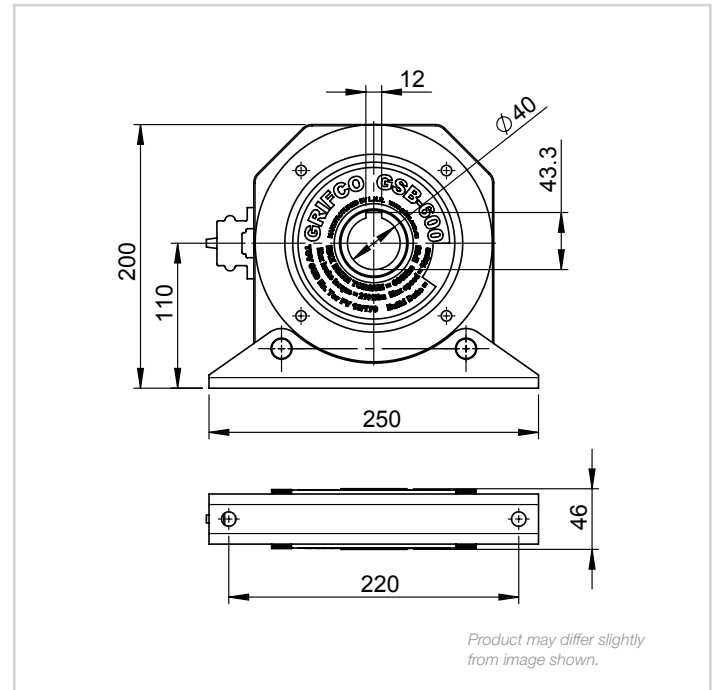
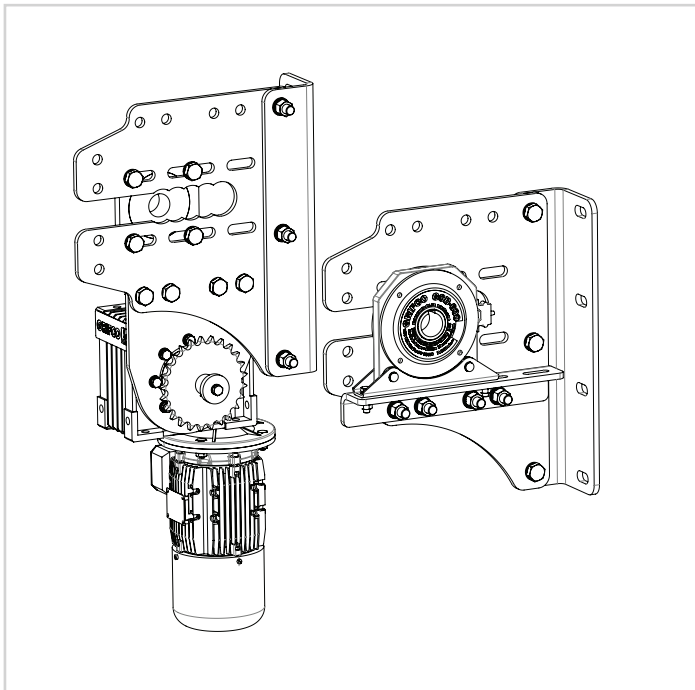
**GSB-600**

The Grifco is a safety device for roller shutters which, besides which arrests (catches) the shutter in case of motor or transmission mechanical breakage. It is mounted on the non-driven end of a door drum. The live shaft door drum is mounted within the safety brake.



Product may differ slightly from image shown.

Typical Installation within U-Drive System



Product may differ slightly from image shown.

### Model Details

Part No.	GSB-600
Description	Safety Brake 600Nm

### Specifications

Nominal Torque	600Nm
Locking Torque	2,161Nm
Working Speed	16RPM
Weight	8.6kg

#### Chamberlain Australia Pty Ltd

Head Office - Unit 1, 75 Epping Rd North Ryde NSW 2113  
Manufacturing - 15 Dell Rd, West Gosford NSW 2250

#### Chamberlain New Zealand Ltd

17A Arrenway Dr, Rosedale 0632 Auckland NZ

AU: 1800 GRIFCO | [www.grifco.com.au](http://www.grifco.com.au)  
NZ: 0800 653 667 | [www.grifco.co.nz](http://www.grifco.co.nz)

#### Chamberlain Branches

Sydney - Unit 1, 75 Epping Rd North Ryde NSW 2113  
Melbourne - Unit 18, 85-91 Keilor Park Dr Tullamarine VIC 3043  
Brisbane - Unit 19, 140 Wecker Rd Mansfield QLD 4122  
Perth - 54 Milrose Dr Malaga WA 6090

# GRIFCO®

OVER 100 YEARS OF AUSTRALIAN MANUFACTURING

GSS-GSB-600